



Integrate solutions  
for dental sterilization  
centrals



For over 20 years, Smeg Instruments has been recognized for its excellence in the medical instrument field. The vast experience gained in sterilization centers in hospitals and private medical facilities is adopted in the dental field where avant-garde equipment for instrument treatment constructed in compliance with the latest standards is offered on a smaller scale.

**Smeg Instruments:  
a reliable partner at the service of  
dental studios.**



## SERVICE



Smeg Instruments has numerous highly specialized service centers located in Italy and throughout the world. Our customer support number assures prompt and qualified technical support for all your product needs. Replacement parts are despatched within 24 hours of placing the order.

## INNOVATION



Smeg Instruments offers avant-garde products carefully overseen in the finest details and developed by a team of engineers with the aid of the latest tools and instruments. International patents guarantee the innovative features that make Smeg Instruments brand exclusive.

## WARRANTY



Boasting tens of thousands of machines installed worldwide, Smeg Instruments has acquired vast experience in the medical field. For more than 20 years Smeg Instruments has offered the world of dental instrument disinfection a complete range of technologically advanced products that meet and exceed the most recent safety standards.

## RELIABILITY

**MADE  
IN ITALY**

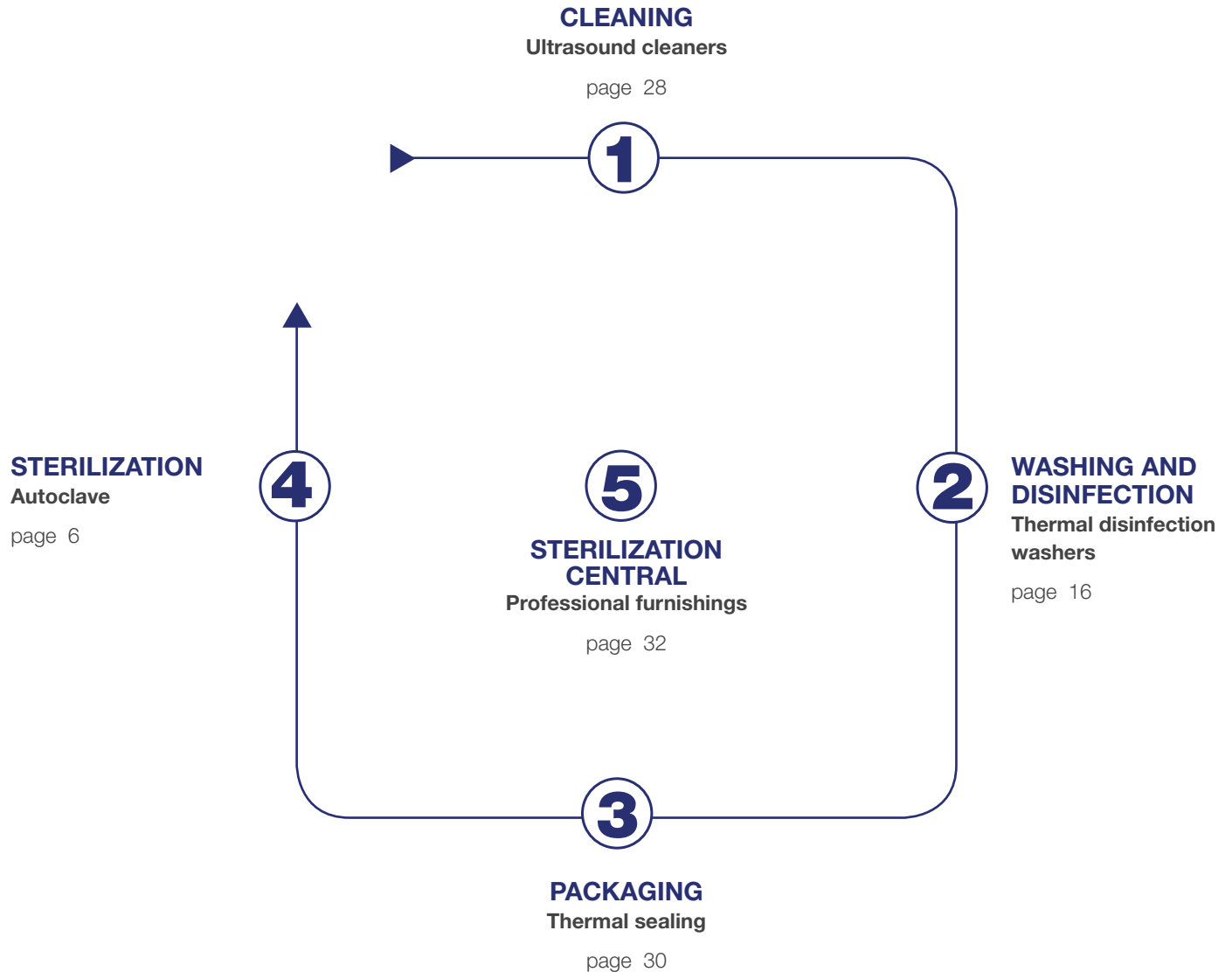
Smeg group today has 2000 employees and 11 branches worldwide, the excellence of Made in Italy. Smeg Instruments has successfully become a renown leader in the market of manufacturers of professional equipment with its unique profile thanks to the supreme quality of its products, synonym of innovation, design and technology.

Smeg Instruments offers a range of products that regard the entire instrument sterilization process. It is therefore able to supply dental offices all the equipment needed for sterilization: from autoclave to thermal disinfection washers, from ultrasound tanks to heat sealers, up to professional-grade stainless steel healthcare furniture.



# INTEGRATE SOLUTIONS FOR DENTAL STERILIZATION CENTRALS

---





smeg  
RESTAURANTS

smeg

B-one

## AUTOCLAVE B-One

---

Core product of the range of Smeg Instruments for dental studios, autoclave B-One guarantees outstanding performance thanks to its exclusive patented system that cuts down sterilization times and drastically reduces water and energy consumption.

- **Innovative**
- **Speed**
- **Design**
- **Water and energy savings**
- **Technology**
- **User friendly**
- **Flexibility and easy maintenance**
- **Compliance to standards**





## WHY CHOOSE AUTOCLAVE B-One?

---

### Innovative

Autoclave B-One carries out sterilization cycles with fractionated vacuum class B. It is therefore able to sterilize hollow items such as loose or bagged resistant thermoplastic materials, handpieces and turbines. Production and steam emission take place in autoclave B-One thanks to a **patented double chamber system with incorporated steam generator**, that cuts down sterilization times and drastically reduces water and energy consumption.

### Speed

The length of the sterilization cycles plays a key role as it determines when instruments are available: B-One takes approximately 50% less time compared to a common autoclave while at the same time assuring perfect results. In fact, B-ONE performs **class B sterilization cycles** with bagged products including the drying stage **in less than 20 minutes**. No time is wasted between cycles, as the machine does not have to be preheated: once started, B-One is always ready for use.

### Design

From its **simple and essential lines**, B-One does not lack style that has always gone hand-in-hand with the renowned Smeg design. Ice white, its appearance evokes accurate geometric symmetries, its door does not have any handles: a light touch is all that is needed to open/close the door automatically. The only visible parts, that have a pleasant colored decoration, are the control handpiece and display: when the autoclave is running, the ergonomically designed handpiece is backlit by a light blue light, the same color used in the display.

### Water and energy savings

B-One **absorbs only 1500 watt compared to more than 2000 used in common autoclaves**; this translates into significant energy savings that allow the dental studio to be more effectively managed allowing simultaneous use of several medical devices. In addition B-One **utilizes approximately 200cc of demineralized water, in other words 4 times less compared to the best machines sold on the market**: remarkable water savings and, for those who fill by hand, less time is taken to top up the tank.

## Technology

Featuring 4 sterilization and 2 test cycles, autoclave B-One has **exceptional autonomy: it is able to carry out up to 15 cycles with just one load of water.**

Thanks to the “programmed turn-on” function it is possible to set the time the sterilization chamber is to be preheated and therefore start and use the machine without having to wait.

In addition B-One **signals when the demineralization cartridges have to be replaced** and, as it is equipped with a solenoid valve, no other power supply is needed for the purifying device.

## User friendly

Easy and intuitive selection of all functions thanks to a **single turn and push handpiece that is backlit when the machine is operating.**

The top quality **display** (128x128 pixel) is **user friendly**: the operations to be performed are indicated by icons and texts, the main operating parameters are displayed and the cycle in progress can be directly monitored thanks to the time/pressure chart provided. Special audible and visual alert signals let the user know when maintenance operations are required.

## Flexibility and easy maintenance

The machine can be filled with demineralized water in the following ways:

- **manually**
- **connection to a fixed system**
- **automatic supply from canisters**

The loading tank is fitted with a sensor that checks the quality of the water put in.

The autoclave cover is easily removed to conveniently access the **tank, which can be fully inspected.**

## Compliance to standards

Autoclave B-One is equipped with a system that recognizes the operator through a password and comes with a **memory card** capable of automatically saving all information about the sterilization process. The documents can be consulted directly on the pc using a USB pen drive. In addition, the autoclave is equipped with a serial port for connection to a **printer** so that the saved information can be periodically printed out.

## TECHNICAL SPECIFICATIONS

### Double chamber with incorporated steam generator



An instrument loading compartment and an external chamber form a jacket which saturated steam, directly produced by an incorporated steam generator, is let into. Thanks to this solution, it is not necessary to preheat the water and even temperature distribution is assured. It is therefore possible to optimize heat exchange and limit condensate formation on the instruments and bagged items, thereby speeding up the process, improving performance while making the final drying stage more efficient.



### Automatic closure



Correct door closure is assured by a motor that automatically starts up when the door is placed against the autoclave.



### Inspectable tanks



The loading and unloading tanks assembly can be fully inspected: simply take off the cover to access the inside of the compartments. In addition, two front fittings allow the used water and clean water tanks to be emptied entirely.



### Programmed turn-on



It is possible to set the turn-on time to heat up the sterilization chamber. The following items can be set:

- turn-on time
- turn-on day
- repeated or "single" turn-on



## EN 13060



Autoclave B-One is constructed and engineered

to meet the essential requirements of European standard EN 13060. This standard describes the most important sterilization principles, for example:

- classification of loads and sterilization cycles (B, S and N)
- removal of air from load and steam penetration
- critical parameters (temperature, pressure, time)
- test and validation methods of sterilization processes

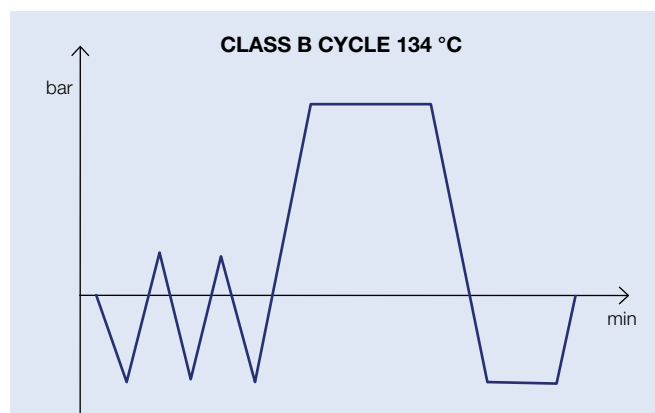
## 6 PROGRAMS



B-One has different programs capable of satisfying the needs of sterilisation in all dental practices. All cycles necessary for process validation, according to the norms in force, are also foreseen.

### CYCLE TABLE

	B 134	FAST 134	PRION 135	B121	VACUUM TEST	B&D HELIX TEST
TEMPERATURE °C	134.8	134.8	134.8	121.9	-	134.8
PRESSURE (bar)	3.1	3.1	3.1	2.1	0.17	3.1
STERILIZATION PHASE TIME (min)	4'	4'	22'	16'	-	3' 30"
DRYING PHASE TIME (min)	7'	2'	5'	7'	-	-
TOTAL TIME (min)	23'	10'	38'	31'	18'	18'





smeg  
INSTRUMENTS



B-One

## TECHNICAL DATASHEET

### B-One



#### TECHNICAL FEATURES

ELECTRONIC CONTROL	Microprocessor
CYCLES	Sterilization cycles 1. Class B, 121°C 2. Class B, 134°C 3. Fast Cycle at 134°C 4. Special "prion" cycle Auto Test cycle 1. Vacuum test according to UNI EN 13060 specifications 2. B&D test and HELIX test
INTERFACE	Backlit LCD display 128 x 128 pixel, push and turn selector knob with luminous indications /alarms
DIGITAL CLOCK AND DATE	Yes, possibility to set the switching on time of the autoclave.
ALARM INDICATIONS	Yes, process monitored in each phase, record keeping and report of the errors. Luminous visualization on the selector knob.
PASSWORD	Possibility to insert user password to monitor the process
DOOR OPENING/CLOSING	Automatic
HEATING SYSTEM	Double chamber with integrated steam generator(patented)
<b>AUXILLIARY FUNCTIONS</b>	
EXTERNAL PROBES	Test connection G1/4 as required by the norm UNI EN 13060
SERIAL PORT RS232	Yes, Possibility to connect an external printer or to acquire data via PC
CYCLE RECORDING	Yes, on internal memory and on SD card
<b>HYDRAULIC CONNECTIONS</b>	
MANUAL FILLING	Yes
SEMI-AUTOMATIC FILLING	Yes
AUTOMATIC FILLING	Possibility to connect the autoclave to a demineralised water plant and to an automatic drain
<b>POWER SUPPLY</b>	
VOLTAGE	230VAC, 50Hz
POWER CONSUMPTION	1500W
<b>DIMENSIONS</b>	
EXTERNAL DIMENSIONS (L X D X H)	480 x 430 x 600mm
CHAMBER CAPACITY	17 Litres
NET WEIGHT	50 kg

#### Porta tray

The reversible tray holder, constructed in AISI 304 stainless steel, supplied with the autoclave is capable of holding 4 low trays or 3 high ones.



#### Equipped with

- N. 4 trays in anodised aluminium
- N. 1 SD Card (DATA-ONE)
- N. 1 SD reader USB output
- N. 1 stainless steel tray extractor
- N. 1 semi – automatic filling tube
- N. 1 drain pipe



smeg

smeg  
PASTRUPETS

B-One

## OPTIONAL AUTOCLAVE B-One

---

### Tray CSKAA/CSKAI

The trays are available in 2 versions:

- CSKAA standard aluminum anodized.
- CSKAI in electropolished AISI 304 stainless steel to streamline drying performance.



### PRINT-One printer

The 24-character dot matrix printer with real time clock function comes complete with thermal paper. External electrical connexion needed.



### DEMI-One water purifier

The water purifier is directly connected to the municipal water line and high quality demineralized water. No electrical connections are required as it is directly controlled by the autoclave.

- water gun
- pressure reducer
- vessel close system for resins cartridges





B-One LIMITED EDITION

---

B-One PYJ

---



The brand Smeg is synonymous of design and technology, therefore we decided to offer to our customers different personalized versions of the B-One which allows one to introduce in the daily working environment one's own style.



B-One Pyjama

The limited editions of B-One are available in the following colours:



Pyjama



Black pearl



Red



Clear blue



Clear green



Clear pink



B-One Black Pearl



## WD THERMAL DISINFECTION WASHERS

---

A remarkable advantage of thermal disinfection washers is the ability to repeat medical instrument treatment under the same conditions in terms of performance and safety while, at the same time, preventing the possibility of errors occurring during sterilization cycles. Supreme performance, reliability, cost-effectiveness and full safety are just a few of the features that make thermal disinfection washers manufactured by Smeg Instruments unique.

- **Technology**
- **Precision**
- **Safety**
- **Traceability**
- **Conformity**
- **Compact size**



## WHY CHOOSE THERMAL DISINFECTION WASHERS?

---



### Technology

Thermal disinfection washers manufactured by Smeg Instruments are equipped with **two temperature sensors**. Two PT1000 probes, placed on the bottom of the washing well, permit the temperature to be crosschecked. An electronic monitoring system assures that the water temperature never exceeds the maximum allowable values.

### Precision

Both models come with **two high precision peristaltic pumps and efficient level sensors**. Employing peristaltic pumps for metering assures, in accordance with current standards, precise measuring of the additives used.

### Safety

**An electric locking system** prevents the door from being accidentally or forced opened while it is automatically released at the end of the cycle, moving it a few centimeters away from the tank body. This solution assures the instrument handled is almost completely dried.

---

## Traceability

The printer provides a detailed report containing all the information about the completed cycle. Thermal disinfection washers manufactured by Smeg Instruments are also equipped with an RS232 output for **connection to a PC** to download all the information regarding the washing and thermal disinfection programs performed.

## Conformity

The new generation thermal disinfection washers manufactured by Smeg Instruments are class I medical devices, constructed in compliance with the technical requirements set forth by standard **EN15883**.

## Compact size

The **compact dimensions** of the thermal disinfection washers manufactured by Smeg Instruments allow it to be easily placed in sterilization rooms. Model WD2050D (single phase) is 450 mm wide, while model WD1050D (that works in single phase and three phase) is 600 mm wide.

## CARACTERÍSTICAS TÉCNICAS

### Steam condenser



The steam condenser is a system that quickly vents the saturated steam created when the washing water is heated up and in particular during the thermal disinfection process. This device prevents condensate from forming near the instrument washers and exhalation of humidity and odors mainly in solutions in which the apparatus is placed under the counter. In addition, in air conditioned rooms, it reduces the air conditioning system's work load by limiting heat dispersion of the thermal disinfection washers.

### Peristaltic pumps



The thermal disinfection washers are equipped with 2 peristaltic pumps; one for metering the alkaline detergent during washing while the other is used to meter the acid detergent during the neutralization stage. Each pump comes complete with a level sensor to be placed directly in the canisters for the products used.



### Electric locking system



The electric locking system prevents the door from being accidentally or forced opened while it is automatically released at the end of the cycle, moving it a few centimeters from the tank body to keep condensate formation on the instruments handled down to minimum.



### Printer



A 24-character thermal printer with real time clock function is provided. Both the mounted and panel versions provide full documentation about the cycles carried out.



4

## EN15883

**EN 15883** The thermal disinfection washers meet standard EN15883, that sets forth the technical requirements in terms of product and process quality assurance which professional-grade instrument washers and their accessories must satisfy to assure washing cycles that can be controlled, checked and repeated.

## Parametro $A_0$

**A<sub>0</sub>** The thermal disinfection washers have a wide range of programs available offering different thermal disinfection solutions and are able to calculate parameter  $A_0$  in real time. The value obtained is shown directly on the display screen and, if the printer is present, it is stated on the end-of-cycle report.



## Connection RS232

**RS232** The thermal disinfection washers come with an RS232 output for connection to a PC or printer.



## TECHNICAL DATA



### WD2050D



← 45 cm →

#### TECHNICAL FEATURES

ELECTRONIC CONTROL	MICROPROCESSOR
PROGRAMS	8
PROGRAM CHANGES	YES, FOR AUTHORIZED TECHNICIANS OR SMEG PERSONNEL
CYCLE RECORDING	YES, UP TO 250 CYCLES
INTERNAL WASH CHAMBER TEMPERATURE	UP TO 95°C, PRECISION 0.1°C
TEMPERATURE SENSORS IN THE WASH CHAMBER	2 PT 1000 CLASS B IEC 60751
DOSAGE PUMPS (0-220 ml)	2
DETERGENT DOSAGE CONTROL	USE OF LEVEL SENSORS, CURRENT SENSING, TIMED CONTROL
DUCT FOR INTRODUCING EXTERNAL TEMPERATURE PROBES	YES
RS232 SERIAL PORT	YES
SAFETY FEATURES	SAFETY THERMOSTATS, REDUNDANT DOSAGE SYSTEM CONTROL, REDUNDANT TEMPERATURE CONTROL, WASHING INTERRUPTION WHEN DOOR OPENED, WATER LEVEL CONTROL, OVER-HEATING SAFETY MECHANISM, ERROR MESSAGES VIEWED ON THE DISPLAY, PUMP MALFUNCTION, ELECTRIC-MECHANICAL INTERLOCK, ETC., (SEE DATA SHEET)
ALARM AND/OR MESSAGE INDICATIONS	9
VAPOR CONDENSER	YES
EXTERNAL DIMENSIONS (WITH TOP EMBEDDED)	450X635X850 (830) mm
INTERNAL DIMENSIONS	380X480X590 mm
NET WEIGHT	50 kg
STEEL WASH CHAMBER/EXTERNAL PANELS	AISI 316L/AISI 304
WATER SUPPLY	COLD
INCORPORATED WATER SOFTNER	YES
MACHINE HEATING	ELECTRIC 3 kW max.
POWER SUPPLY	1/N/PE 230V ~ 50 Hz 3.3 kw
NOISE	33 dB
CONFORMITY	93/42/CEE, 72/23/CEE, 93/68/CEE, 89/336/CEE EN61010-1, EN61010-2-045, EN61326:1997+A1:1998; EN 15883-1-2:2006

## WD1050D



← 60 cm →



OPTIONAL

### TECHNICAL FEATURES

ELECTRONIC CONTROL	MICROPROCESSOR
PROGRAMS	8
PROGRAM CHANGES	YES, FOR AUTHORIZED TECHNICIANS OR SMEG PERSONNEL
CYCLE RECORDING	YES, UP TO 250 CYCLES
INTERNAL WASH CHAMBER TEMPERATURE	UP TO 95°C, PRECISION 0.1°C
TEMPERATURE SENSORS IN THE WASH CHAMBER	2 PT 1000 CLASS B IEC 60751
DOSAGE PUMPS (0-220 ml)	2
DETERGENT DOSAGE CONTROL	USE OF LEVEL SENSORS, CURRENT SENSING, TIMED CONTROL
DUCT FOR INTRODUCING EXTERNAL TEMPERATURE PROBES	YES
RS232 SERIAL PORT	YES
SAFETY FEATURES	SAFETY THERMOSTATS, REDUNDANT DOSAGE SYSTEM CONTROL, REDUNDANT TEMPERATURE CONTROL, WASHING INTERRUPTION WHEN DOOR OPENED, WATER LEVEL CONTROL, OVER-HEATING SAFETY MECHANISM, ERROR MESSAGES VIEWED ON THE DISPLAY, PUMP MALFUNCTION, ELECTRIC-MECHANICAL INTERLOCK, ETC, (SEE DATA SHEET)
ALARM AND/OR MESSAGE INDICATIONS	9
VAPOR CONDENSER	YES
EXTERNAL DIMENSIONS (WITH TOP EMBEDDED)	600X640X850 (830) mm
INTERNAL DIMENSIONS	520X515X545 mm
NET WEIGHT	65 kg
STEEL WASH CHAMBER/EXTERNAL PANELS	AISI 316L/AISI 304
WATER SUPPLY	COLD/DEMINERALIZED
INCORPORATED WATER SOFTNER	YES
MACHINE HEATING	ELECTRIC 3 kW max.
POWER SUPPLY	1/N/PE 230V ~ 50 Hz 2.8 kw 3/N/PE 400V ~ 50 Hz 7.0 kw
NOISE	50 dB
CONFORMITY	93/42/CEE, 72/23/CEE, 93/68/CEE, 89/336/CEE EN61010-1, EN61010-2-045, EN61326:1997+A1:1998; EN 15883-1-2:2006

## ACCESSORIES

---

### BASIC TROLLEYS

---

Basic basket and support-holding trolleys for washing surgical instruments used in the operating room. They include incorporated sprayers (on the upper level) and a sprayer on the bottom of the machine (lower level). Made in stainless steel.



**D-CS1** BASIC UPPER  
TROLLEY 45CM

Basic upper trolley with sprayer for the WD2050D model. It holds baskets and supports for surgical instrument treatment.



**CS1-1** BASIC UPPER  
TROLLEY 60CM

Basic upper trolley with sprayer for the WD1050D model. It holds baskets and supports for surgical instrument treatment.



**D-CS2** BASIC LOWER  
TROLLEY 45CM

Basic lower trolley for the WD2050D model. It holds baskets and supports for surgical instrument treatment.



**CS2** BASIC LOWER  
TROLLEY 60CM

Basic lower trolley for the WD1050D model. It holds baskets and supports for surgical instrument treatment.

## WASHING HANDPIECES

To meet these specific requirements of injection washing and disinfection of the instruments, Smeg has designed and produced accessories D-SM6 (WD2050D) D-SM8 (WD1050D). These accessories enable to wash the outer parts of the instruments, and delicately but thoroughly wash the inside ducts by forcing the washing solution into them.



### **D-SM6** HAND PIECE WASHING SUPPORT

Hand piece washing support for WD2050D. It is supplied with a standard set consisting of 6 silicone rings, 6 filters and 2 nozzles. Made of stainless steel.



### **D-SM8** HAND PIECE WASHING SUPPORT

Hand piece washing support for WD1050D. It is supplied with a standard set consisting of 8 silicone rings, 8 filters and 6 nozzles. Made of stainless steel.



### **D-SM6+D-CS1** HAND PIECE ON TROLLEY

Hand piece washing support D-SM6 must be positioned on D-CS1 trolley as shown in the figure at the side.



### **D-SM8+CS1-1** HAND PIECE ON TROLLEY

Hand piece washing support D-SM8 must be positioned on CS1-1 trolley as shown in the figure at the side.

## ACCESSORIES

### SUPPORTS & BASKETS



**CSMICRO1** INSTRUMENT BASKET WITH HANDLES AND COVER

Suitable for dental instruments.  
2x2 mm mesh.

Made of stainless steel.

Dimensions  
lxdxh 240x235x55 mm.



**CSMICRO2** FINE-DRAWN MESH BASKET WITH COVER

Suitable for housing rotary cutters and small instruments.

Dimensions  
lxdxh 100x80x45 mm.

Made of stainless steel.

**CSMICRO3**

fine drawn mesh basket with cover  
dimensions

Dimensions  
lxdxh 280x168x45 mm.



**CSK1/6** BASKET WITH COVER

Suitable for various instruments.  
5x5 mm cover mesh.

3x3 mm basket mesh.

Made of stainless steel.

Dimensions  
lxdxh 130x225x50 mm.



**CSK1/3** INSTRUMENT BASKET WITH HANDLES

Suitable for dental instruments.  
5x5 mm mesh.

Made of stainless steel.

Dimensions  
lxdxh 435x160x50 mm.



**CSK2/3** INSTRUMENT BASKET WITH HANDLES

Suitable for dental instruments.  
5x5 mm mesh.

Only for model WD2050D.

Made of stainless steel.

Dimensions  
lxdxh 435x310x50 mm.



**CSK2** INSTRUMENT BASKET WITH HANDLES

Suitable for dental instruments.  
5x5 mm mesh.

Only for the WD1050D model.

Made of stainless steel.

Dimensions  
lxdxh 450x225x50 mm.



### **D-CM1** BASKET WITH HANDLES

Basket with handles, suitable for various instruments.

3x3 mm mesh.

Made of stainless steel.

↑ Dimensions  
↘ lxdxh 300x155x115 mm.



### **D-SB3** BASKET SUPPORT

Support for three CSMICRO1 or three CSK1/6 or three IMS half units. Should be positioned on standard lower trolley D-CS2 or CS2.

Made of stainless steel.

↑ Dimensions  
↘ lxdxh 300x130x145 mm.



### **D-SV** SUPPORT TO PLACE VARIOUS INSTRUMENTS

Support to place various instruments in the vertical position. Should be positioned on trolleys D-CS1 and D-CS2.

Made of stainless steel.

↑ Dimensions  
↘ lxdxh 295x160x165 mm.



### **D-ST10** TRAY/CONTAINER SUPPORT

Support for 10 basins/trays. Suggested position: standard bottom trolley D-CS2 or CS2.

Made of stainless steel.

↑ Dimensions  
↘ lxdxh 440x170x175 mm.



### **D-SB2** BASKET SUPPORT

Support for two CSMICRO1 or two CSK1/6 or two IMS half units. Should be positioned on the upper trolley D-CS1 or CS1.

Made of stainless steel.

↑ Dimensions  
↘ lxdxh 415x130x150 mm.



### **D-SCT8I** CONTAINER COVER SUPPORT

Support for 8 tray covers. Can be positioned on the lower level only. Occupies 2/3 of D-CS2 trolley; 1/2 of CS2 trolley.

Made of stainless steel.

↑ Dimensions  
↘ lxdxh 385x310x115 mm.

## ACCESSORIES



### D-ST11 TRAY SUPPORT

Support for 11 trays. Can be positioned on the lower level only. Occupies: 2/3 of D-CS2 trolley; 1/2 of CS2 trolley. Made of stainless steel.

Dimensions:  
lxdxh 335x305x115 mm.



### D-ST16 TRAY SUPPORT

Support for 16 trays. Can be positioned on the lower level only. Occupies: 2/3 of CS2 trolley; complete D-CS2 trolley. Made of stainless steel.

Dimensions:  
lxdxh 460x310x115 mm.



### SPD PLIERS SUPPORT

Support for forceps. Support for vertical positioning of forceps. Made of stainless steel.

Dimensions:  
lxdxh 305x150x135 mm.



### D-SCT8S SUPPORT FOR CONTAINER COVERS

Support for 8 tray covers. Recommended for the D-CS1 trolley. Made of stainless steel.

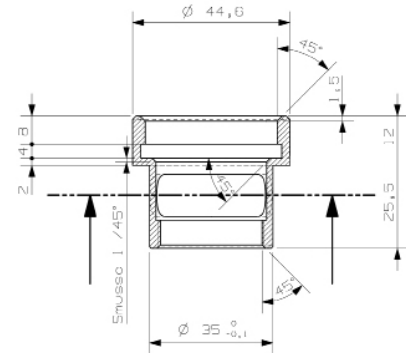
Dimensions:  
lxdxh 445x310x120 mm.



### D-SIMS SUPPORT FOR IMS UNITS

Support for 6 IMS units or 12. IMS half units. Can be positioned only on standard lower trolley D-CS2 or CS2. Made of stainless steel.

Dimensions:  
lxdxh 445x230x155 mm.



### CUSTOM-MADE ACCESSORIES

Smeg also offers the possibility of design and construct trolleys or supports according to the end user's needs (in compliance with technical features of the WD2050D and WD1050D).

## DETERGENTS

---

Specific detergents are needed to obtain accurate washing and the most effective thermal disinfection of the treated medical instruments with professional instrument washers. Smeg offers a complete range of alkaline detergents (to be used during the washing phase) and acid neutralizers (to be used during the neutralization phase) that are specially designed to guarantee efficient cleaning, so much so, that it favors a temperature disinfection action in the final thermal disinfection phase. Smeg also offers numerous disinfectants used for treating thermolabile instruments and anesthesia instruments to be used in the machine during the thermal chemical procedure. Special lubricants and additives that prolong the life of medical devices are available as well.



### **DENTAL-NE**

Weak alkaline liquid detergent for delicate washing of handpieces and instruments made of titanium, aluminium and stainless steel.

Package: 1 box containing ten 1-litre bottles.



### **DENTAL-AC**

Liquid acid-based neutralizer for stainless steel instruments.

Package: 1 box containing ten 1-litre bottles.



### **DENTALNE5**

Weak alkaline liquid detergent for delicate washing of handpieces and instruments made of titanium, aluminium and stainless steel.

Package: one 5-litre can.



### **DENTALAC5**

Alkaline detergent powder to wash stainless steel instruments.

Package: one 5-litre can



## UV ULTRASOUND CLEANERS

---

The line of Smeg VU ultrasound tanks constitutes an extremely useful aid in eliminating residues insoluble in water. The service life of the apparatus is notably extended thanks to the 37 KHz frequency high performance transducer provided and construction materials employed. They are available in different volumes (3 and 13 litres).

### Technology

- Electronic time and temperature control
- Electronically controlled adjustable heating stage

### Efficiency

- Fast self-degassing system to increase washing efficiency
- Optimization system for multi-frequency washing (SWEEP function)

### Reliability

- Optimization system for multi-frequency washing (SWEEP function)
- Safety disconnect (Safety switch off)

### Duration

- The service life of the apparatus is notably extended thanks to the 38 KHz frequency high performance transducer provided and construction materials employed. They are available in different volumes (from 3 to 90 lt).

## TECHNICAL DATASHEET

### SERIE VU



<b>TECHNICAL FEATURES</b>	<b>VU03H</b>	<b>VU013H</b>
ULTRASOUND FREQUENCY	38kHz	38kHz
MAXIMUM PEAK ULTRASOUND POWER	320W	800W
HEATER POWER	200W	800W
TOTAL POWER CONSUMPTION	280W	1000W
ULTRASOUND INTENSITY	4,1W/cm <sup>2</sup>	2,6 W/cm <sup>2</sup>
BOOST	Si	Si
SWEEP	Si	Si
DEGASIFICATION AUTODEGASIFICATION	Si	Si
<b>DIMENSIONS</b>		
CHAMBER VOLUME	l 2,75	l 12,75
INTERNAL CHAMBER DIMENSIONS (l x d x h)	240x137x100mm	300x240x200mm
EXTERNAL CHAMBER DIMENSIONS (l x d x h)	300x179x214mm	365x278x321mm
NET WEIGHT	3,3kg	7,5kg
HANDLE	YES	YES
<b>STAINLESS STEEL</b>		
CHAMBER	AISI 304	AISI 304
EXTERNAL HOUSING	AISI 304	AISI 304
<b>POWER SUPPLY</b>		
VOLTAGE	230V ~ 50Hz	230V ~ 50Hz

## SG THERMAL SEALERS

---

The instruments remain sterile only if the sterilized material is protected in a package that is perfectly airtight and durable in the surrounding environment. Smeg Instruments offers two solutions that differ from each other as concerns the sealing system employed: a model with impulse sealing and one with rotating sealing.

### Design

Space-saving compact models in which the materials employed (stainless steel and plastic) are elegantly combined, paying special attention to details.

### Functionality

The SGI250 model impulse sealer is able to hold rolls of different widths according to the objects to be bagged. The temperature of the heating element is electronically controlled and assures continuous sealing in little time. Both audible and visual signals are given to inform the user the sealing cycle has been completed. The SGR010S model automatic rotating sealer assures sealing at a speed of 10 mt/sec with electronic temperature control.

### Safety

The sealing process of model SGR010S satisfies the requirements of standard EN868-4/5, whereas model SGI2590 also meets the requirements of standard DIN 58953-7. Both products are CE certified.

### Care

The supreme quality of the stainless steel and plastic materials used for the outside surfaces assure durability and easy cleaning. Care operations are reduced to minimum as the components can be easily reached.

## TECHNICAL DATASHEET

### SGI250



#### TECHNICAL FEATURES

SEAL MARGIN	-
SEALING TEMPERATURE	Automatic
SEALING SEAM WIDTH	8mm
SEALING SEAM LENGTH MAX	250mm
SEALING SPEED	-
<b>POWER SUPPLY</b>	
VOLTAGE	230 50Hz / 115 60Hz
POWER CONSUMPTION MAX	850W
TEMPERATURE CONTROL	Min 0 max 9
<b>DIMENSIONS (l x d x h)</b>	
EXTERNAL DIMENSIONS	420 x 360 x 220mm
NET WEIGHT	8kg
<b>STAINLESS STEEL</b>	
EXTERNAL HOUSING	AISI304

### SGR10S



#### TECHNICAL FEATURES

SEAL MARGIN	5 - 35mm
SEALING TEMPERATURE	0 – 220°C
SEALING SEAM WIDTH	12mm
SEALING SEAM LENGTH MAX	unlimited
SEALING SPEED	10m/s
<b>POWER SUPPLY</b>	
VOLTAGE	230 50Hz / 115 60Hz
POWER CONSUMPTION MAX	500W
TEMPERATURE CONTROL	electronic
<b>DIMENSIONS (l x d x h)</b>	
EXTERNAL DIMENSIONS	500x 260 x 140mm
NET WEIGHT	13kg
<b>STAINLESS STEEL</b>	
EXTERNAL HOUSING	AISI304





Smeg Instruments offers a number of integrated solutions that allow you to obtain a highly professional and functional sterilization area, constructed entirely in materials well known for ease of disinfecting and sterilizing: 18/10 stainless steel and corian. The professional furniture is designed to guarantee the correct flow in the instrument treatment process.

- **Ease of disinfecting and sterilization**
- **Functionality**
- **Design**
- **Resistance**
- **Exclusivity**



### **Ease of disinfecting and sterilization**

The material, single-piece work surfaces without any fissures, finely satin finished outside and mirror finished inside assure complete disinfection and sterilization.

### **Functionality**

The structures are designed based on modularity, strict ergonomic criteria and ease-of-use.

### **Design**

The design favors functional aspects and distinguishes itself for its thin essential appearance, suitable for all dental offices.

### **Resistance**

The sturdiness of stainless steel and expert workmanship offer unparalleled resistance over time.

### **Exclusivity**

The stringent concepts which Smeg Instruments integrated solutions are based on allow structures to be developed that clearly distinguish themselves from the other solutions present on the market.



# INTEGRATE SOLUTIONS FOR DENTAL STERILIZATION CENTRALS

---





Smeg S.p.A. - Via Circonvallazione Nord, 36 - 42016 Guastalla (RE) - Italy  
Tel. +39 0522 8211 - Fax +39 0522 821 592  
E-mail: [instruments@smeg.it](mailto:instruments@smeg.it) - [www.smeg-instruments.com](http://www.smeg-instruments.com)